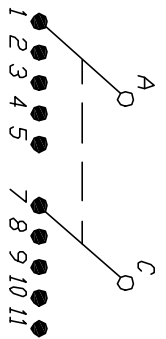
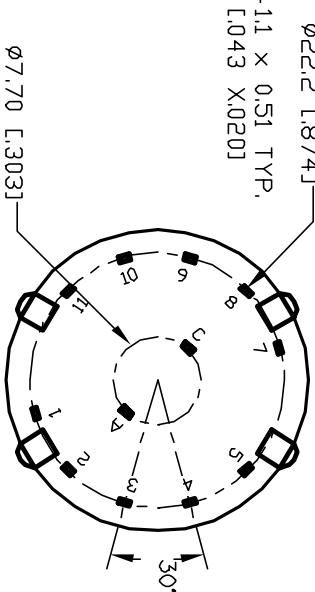
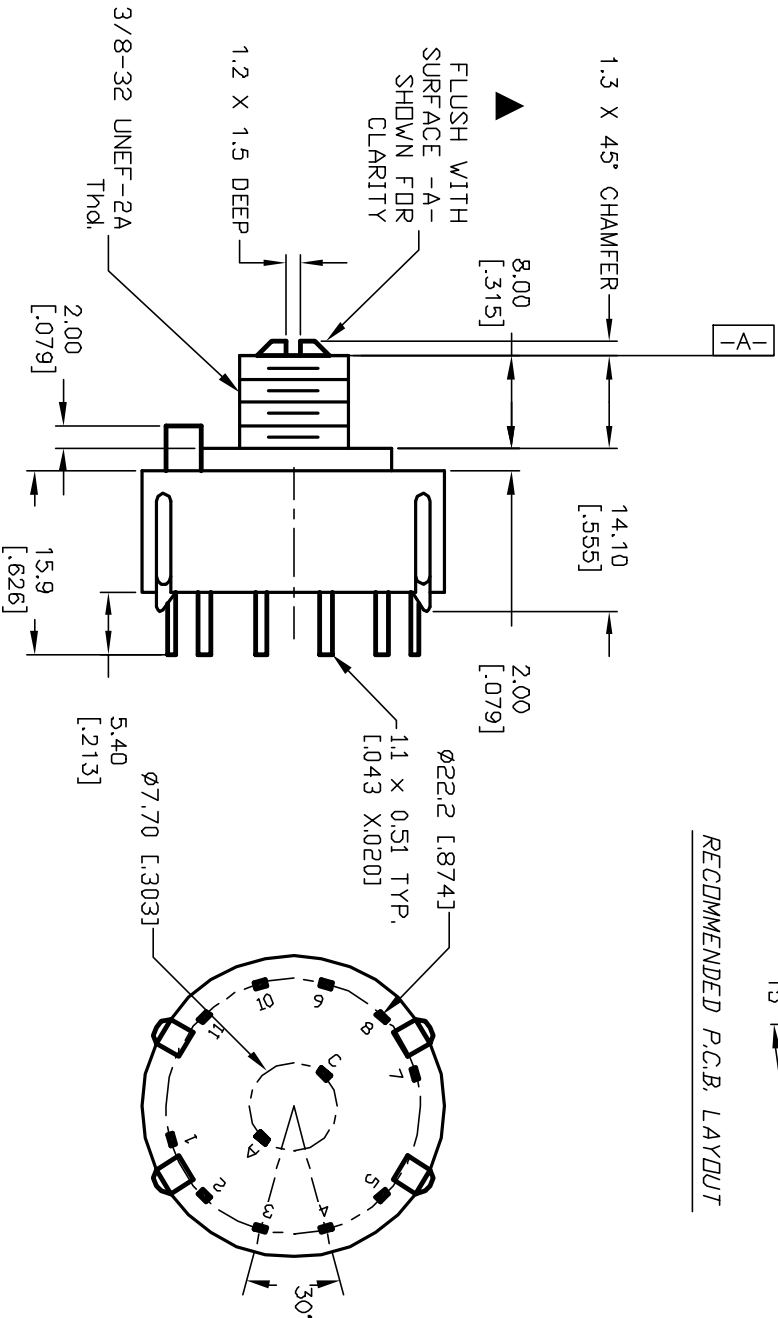
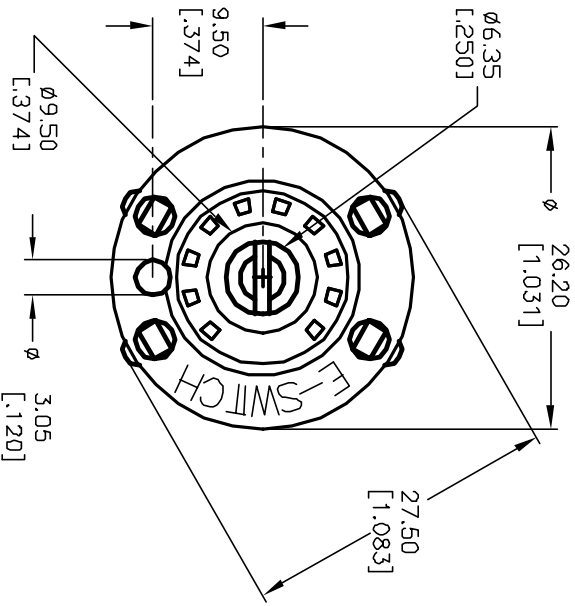
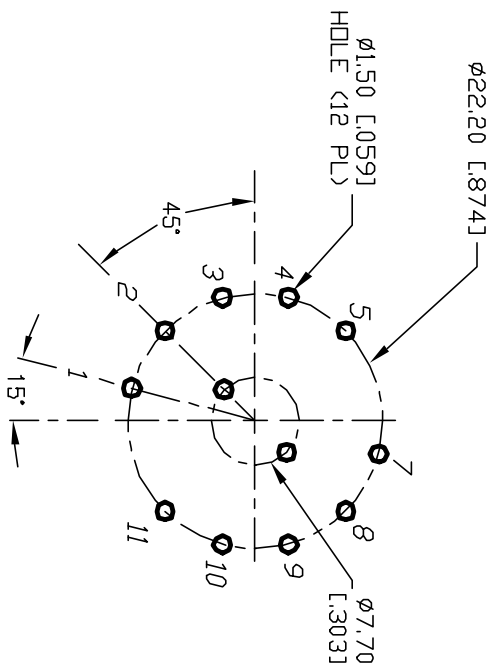


- NOTES:
1. ALL DIMENSION IN MM [INCH]
 2. GENERAL TOLERANCE: X.X=±0.4
X.XX=±0.25
 3. TERM. NOS. FOR REF. ONLY
 4. CONTACT RATING SWITCHING: 150mA, 250V AC/DC
350mA, 110V AC/DC
 5. CONTACT MATERIAL: SILVER over Copper Alloy.
 6. OPERATING FORCE: 425±100 CM/STANDARD
 7. OPERATING TEMP: -30° to 85°C
 8. CIRCUIT 2Pole: 5 POSITIONS, 30° INDEX.
 9. DIELECTRIC STRENGTH: 1000V RMS min. @SEA LEVEL
 10. DESIGNATE MAJOR DIMENSIONS
 11. STOP RING, LOCK NUT AND WASHER NOT SHOWN.



CONTACT CONFIGURATION
Timing: Non-Shorting (BBM)



REV. A		12021		RELEASED FOR PRODUCTION		3/27/02		CJB	
REV.		ECN No.		DESCRIPTION		DATE		CHKD	
THE INFORMATION CONTAINED IN THIS DOCUMENT IS PROPRIETARY TO E-SWITCH AND IS NOT TO BE COPIED OR TRANSFERRED									
TITLE		KC-25-D 01-N-P-S							
SCALE		1.5:1							
DATE		3/27/02							
DR		CJB							
DWG		G530251							
REV		A							

E-SWITCH®